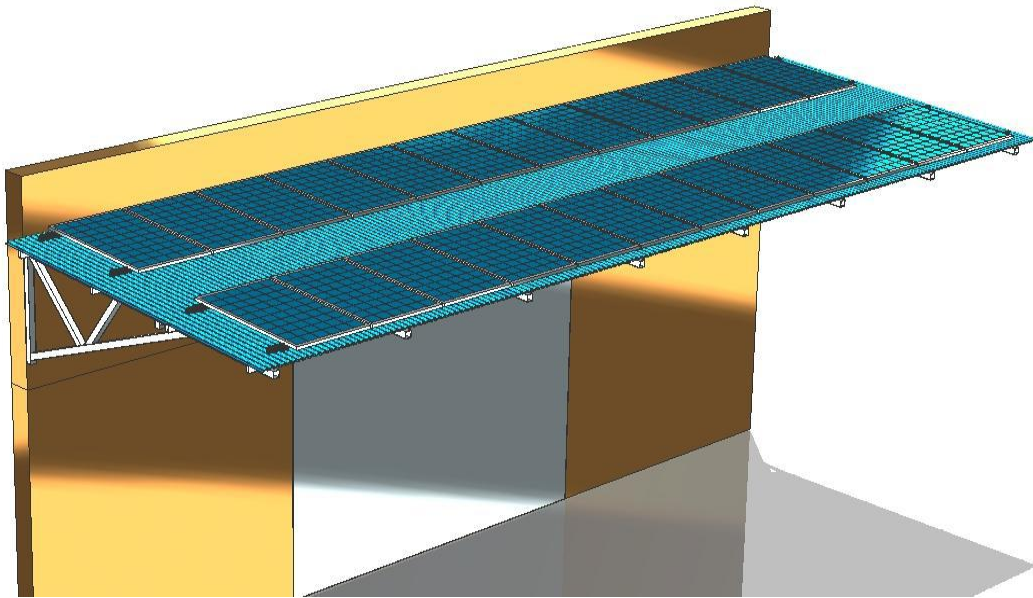


Installation and Operation Manual



Layout: 2X12 Portrait.

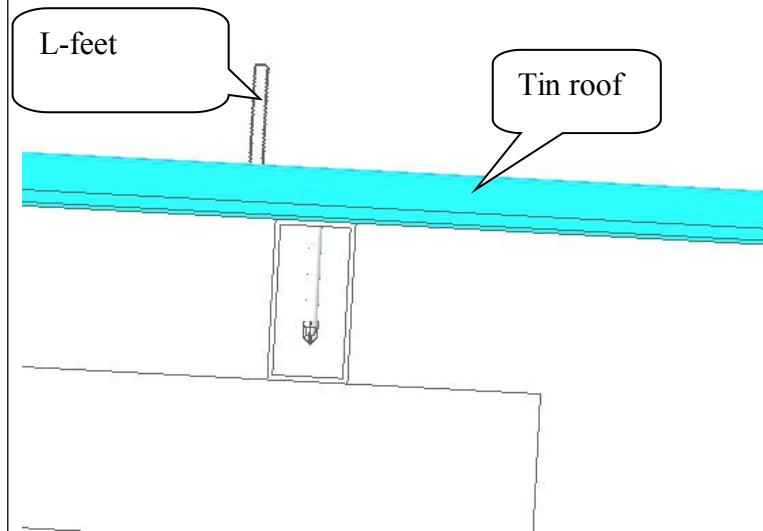
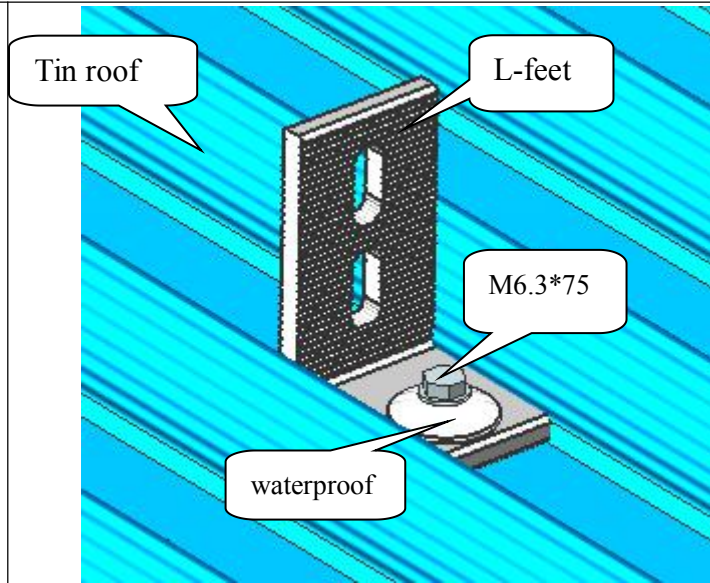
Field installation can be installed according to personnel experience.

Installation tools:

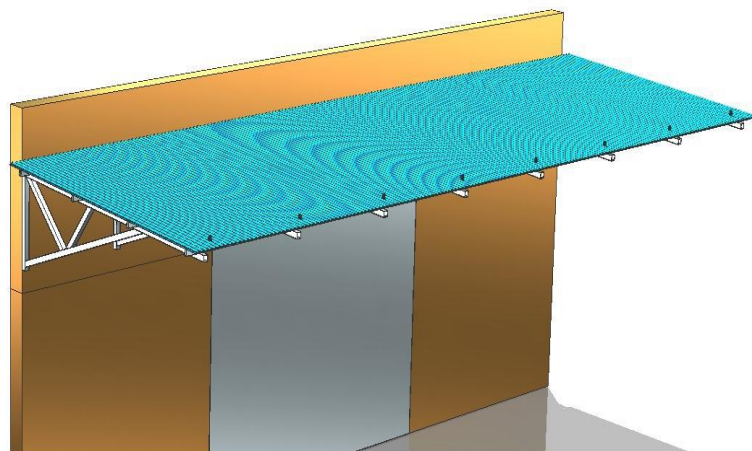
- Mobile wrench
- M8 Hex Socket wrench
- M8 Ring wrench

1.1 L-feet installation

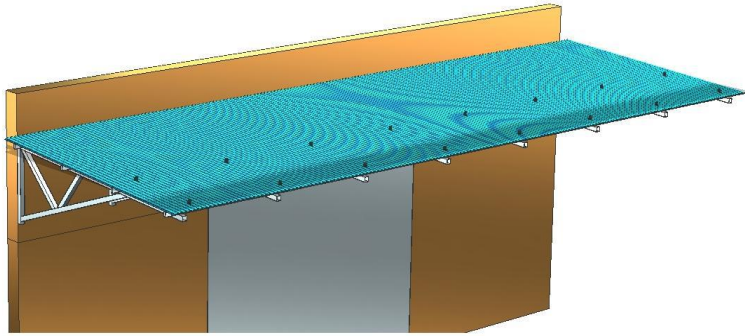
Fix the L-feet into steel purlin with M6.3*75



The distance of each L-foot is about 1748mm.

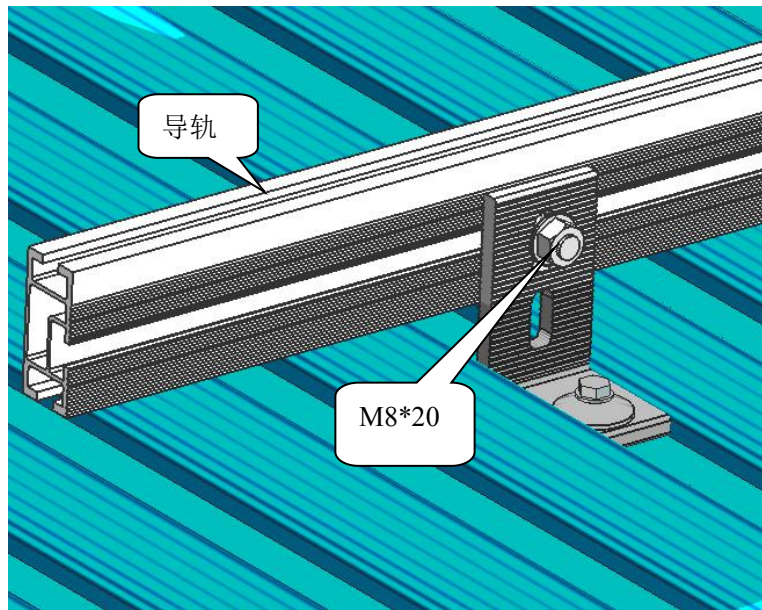


L-feet installation

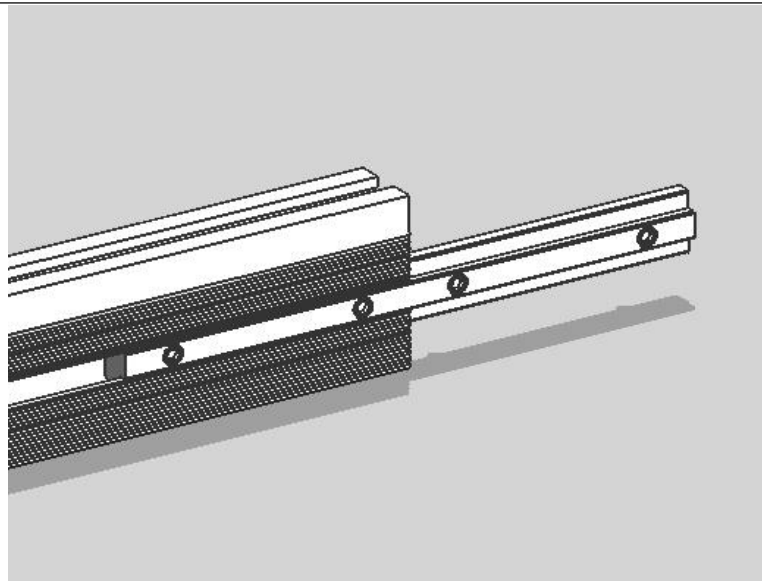


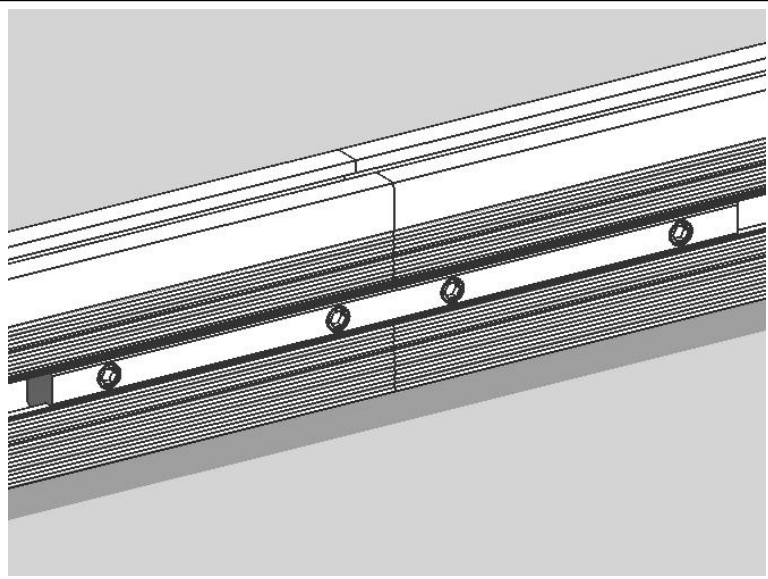
1.2 Rail installation

Connect the rail into
L-feet with M8*20 T-bolt



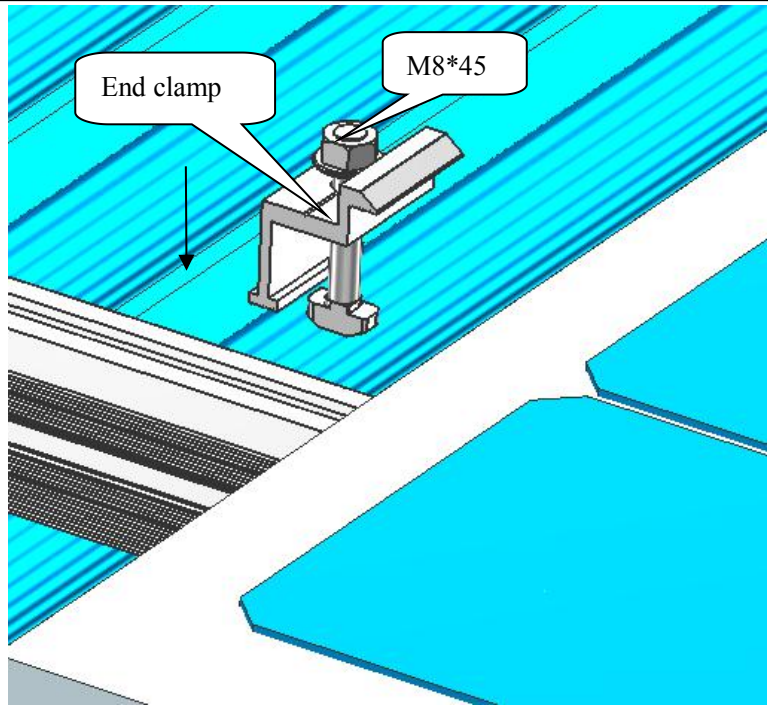
1.3 Connect two rails

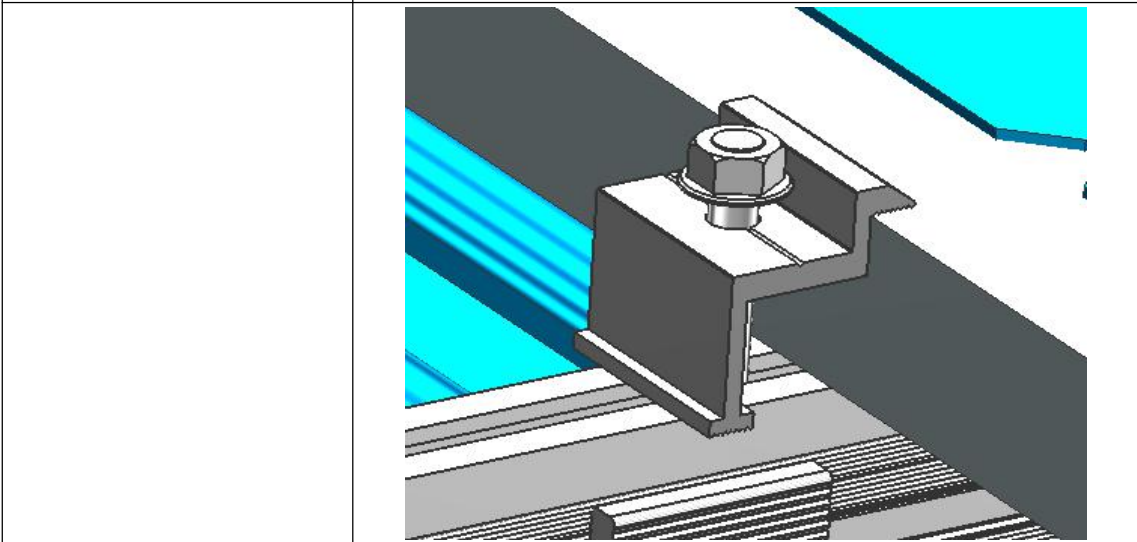
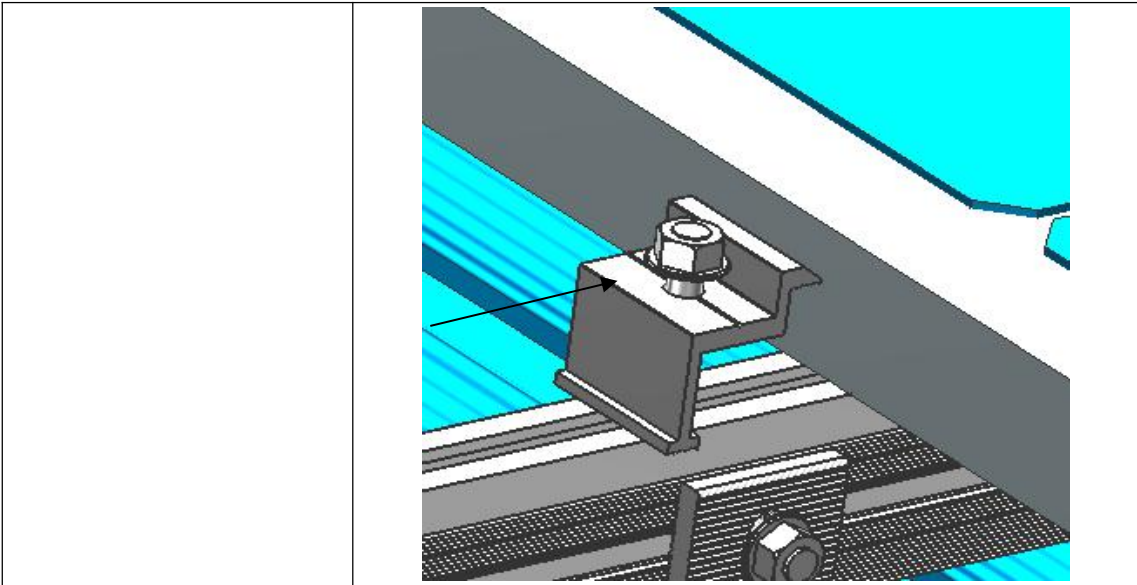




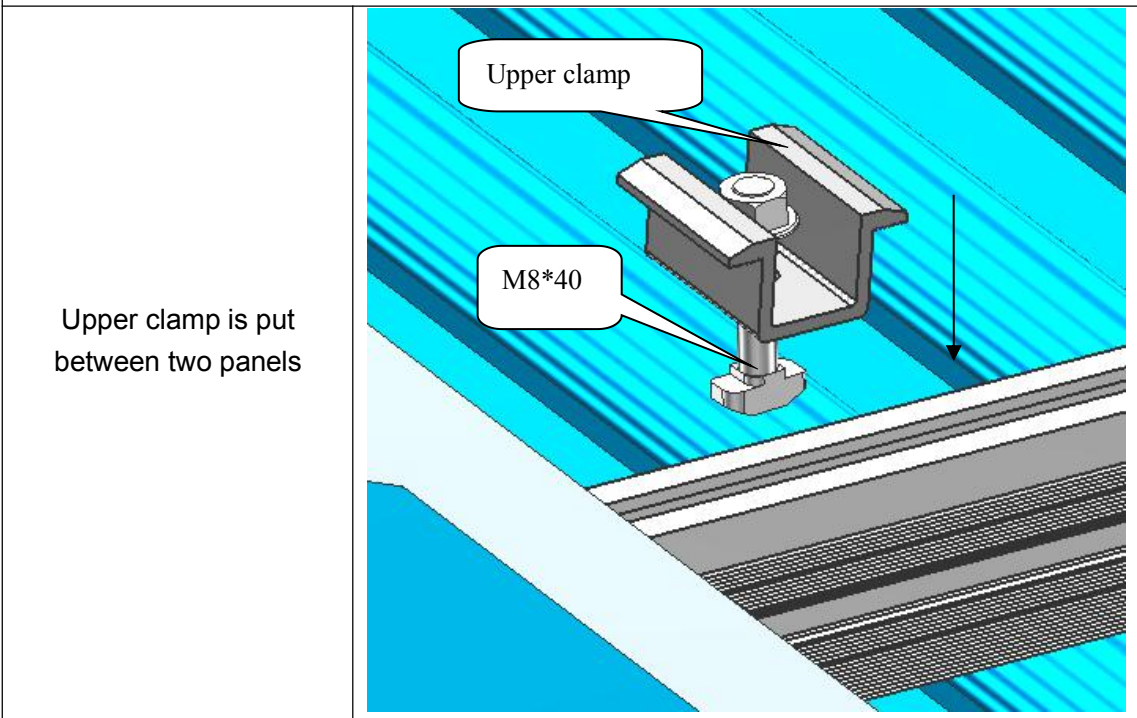
2.1 Panel installation

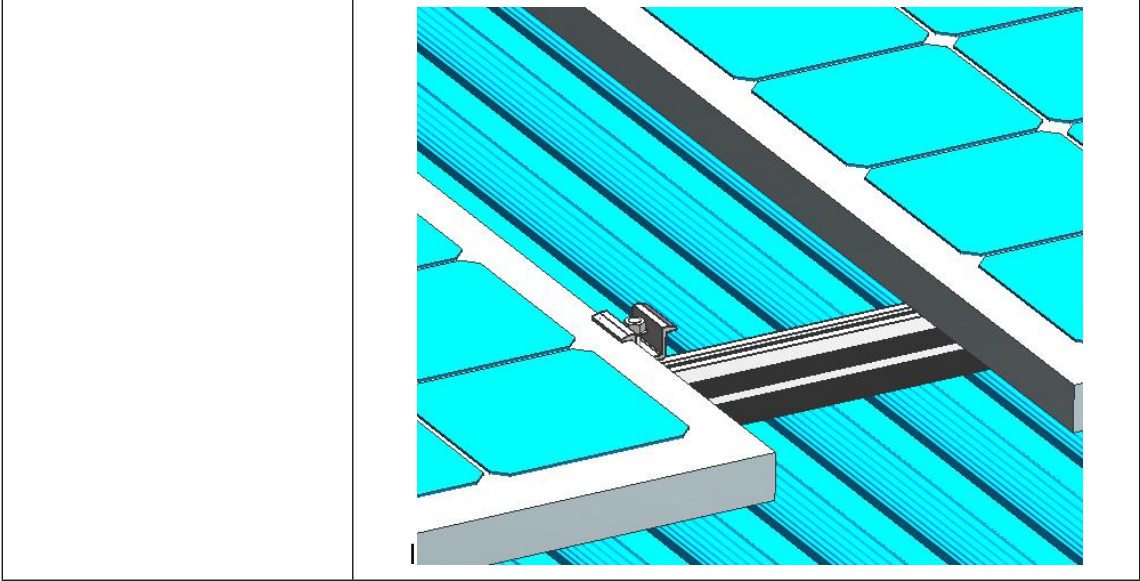
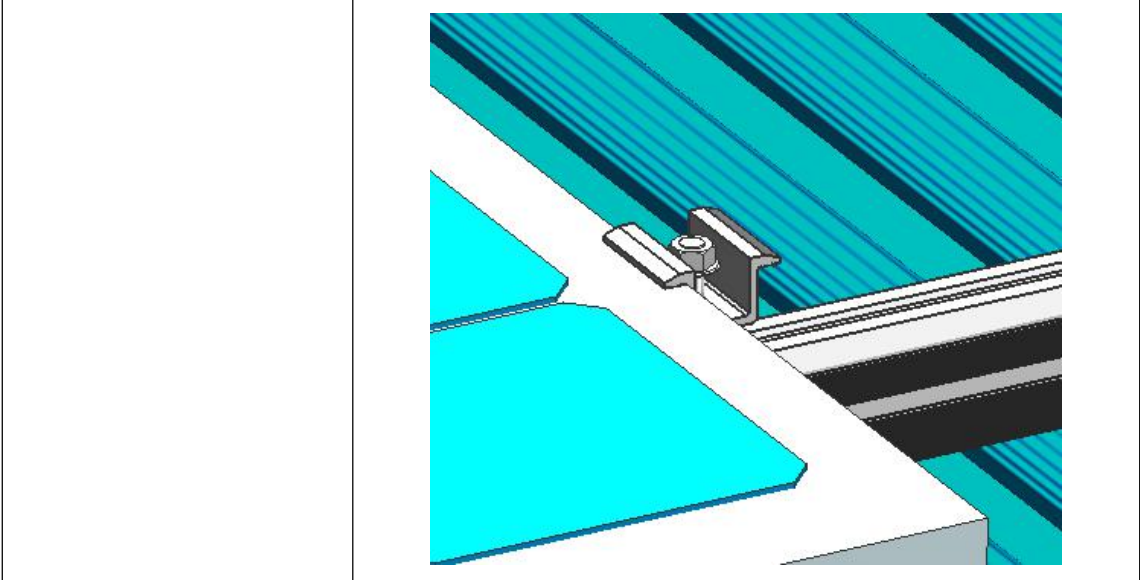
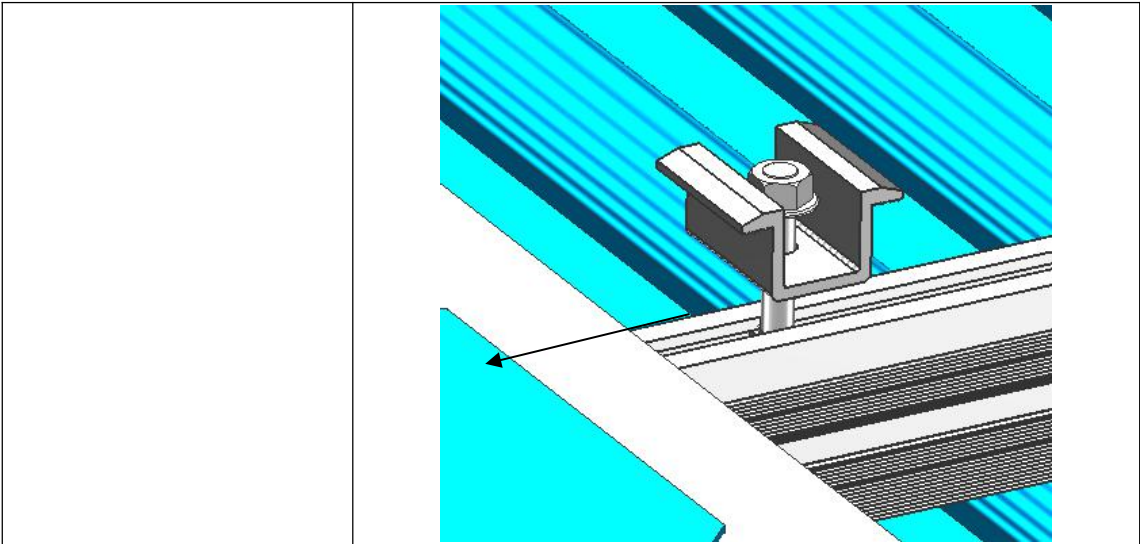
Fix the panel with end clamp by M8*45 T-bolt

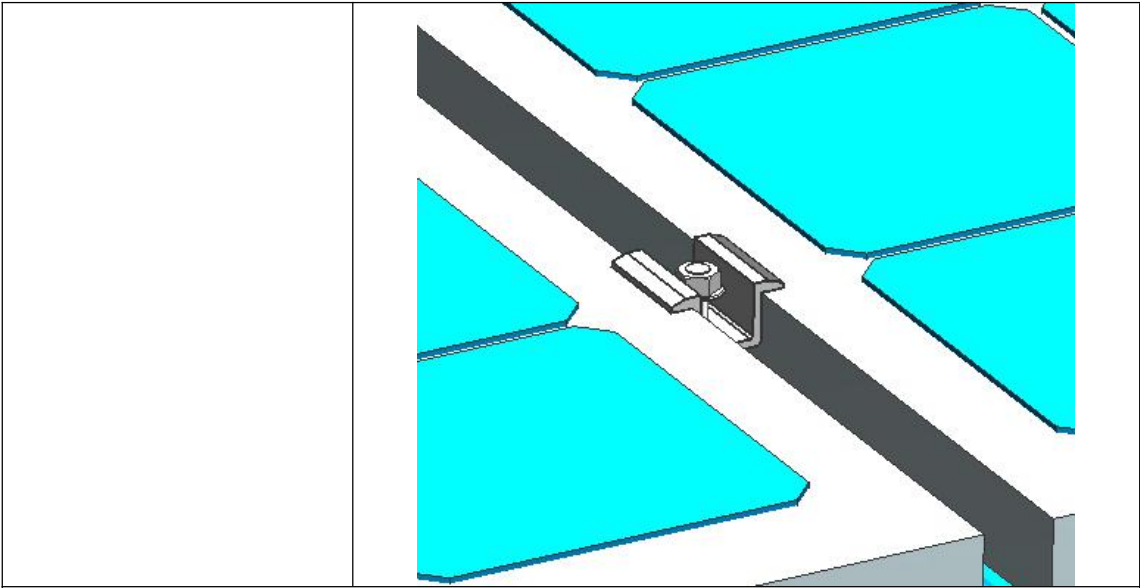




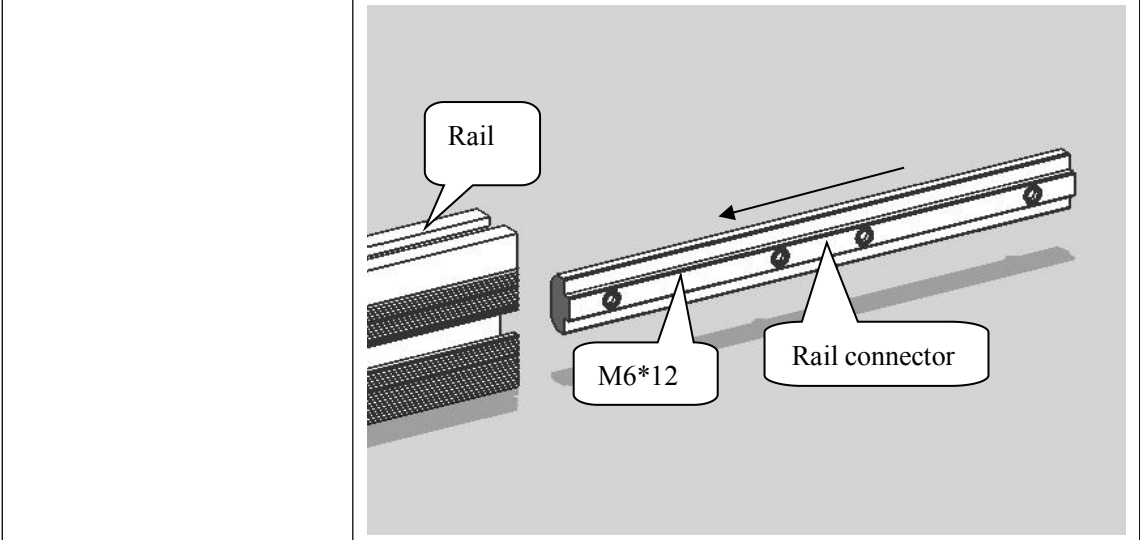
2.2 Upper clamp installation



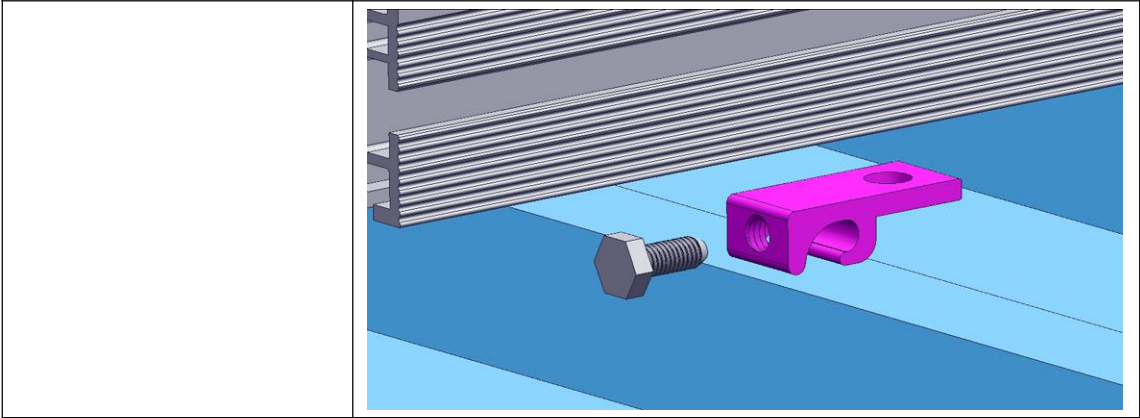


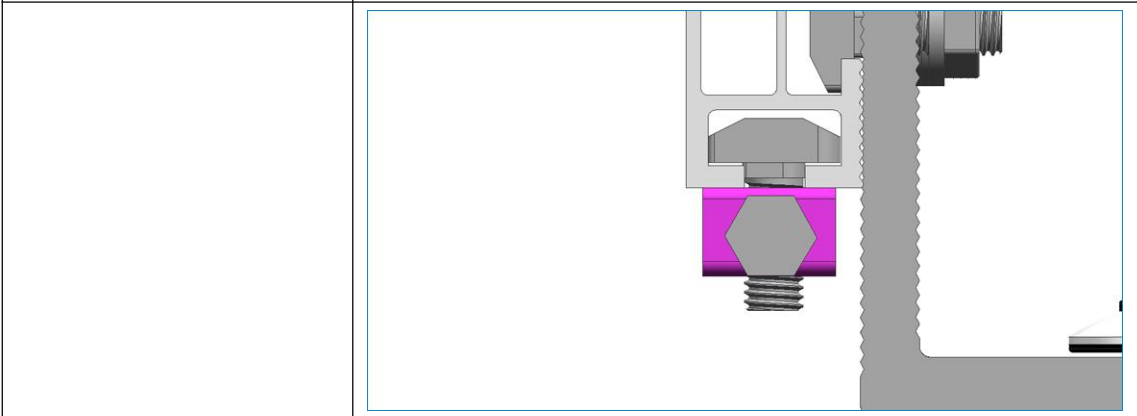
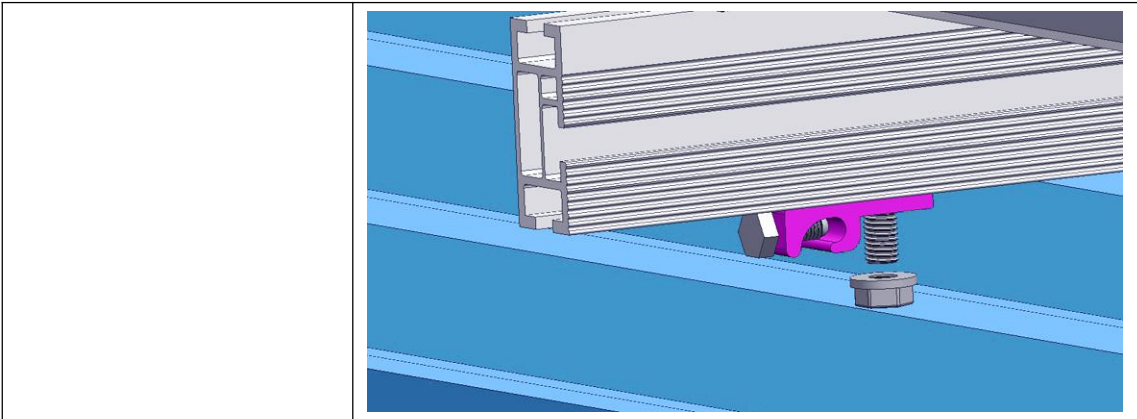


3. Connect two rails



4. Grounding lug installation





5. Conductive installation

